

# Kommerling USA, Inc.

## "PREMIDOOOR" 88MM VINYL LIFT AND SLIDE DOOR OXXO, L.M. IMPACT-HVHZ

REVISIONS			
REV	DESCRIPTION	DATE	APPROVED

**GENERAL NOTES:**

1. THIS PRODUCT HAS BEEN EVALUATED TO COMPLY WITH THE CURRENT PROVISIONS OF THE FLORIDA BUILDING CODE (FBC) INCLUDING THE HIGH VELOCITY HURRICANE ZONES (HVHZ) AND IS BASED ON TESTING CONDUCTED TO TAS 202, TAS 201 & TAS 203 TEST PROTOCOLS PER TEST REPORT NO. NCTL-210-4098-01.
2. ADEQUACY OF THE EXISTING STRUCTURAL CONCRETE, MASONRY AND 2X FRAMING AS A MAIN WIND FORCE RESISTING SYSTEM CAPABLE OF WITHSTANDING AND TRANSFERRING APPLIED PRODUCT LOADS TO THE FOUNDATION IS THE RESPONSIBILITY OF THE ENGINEER OR ARCHITECT OF RECORD FOR THE PROJECT OF INSTALLATION.
3. 1X BUCK OVER MASONRY AND/OR CONCRETE IS OPTIONAL. WHERE 1X BUCK IS NOT USED, DISSIMILAR MATERIALS MUST BE SEPARATED WITH APPROVED COATING OR MEMBRANE. SELECTION OF COATING OR MEMBRANE IS THE RESPONSIBILITY OF THE ARCHITECT OR ENGINEER OF RECORD.
4. THE INSTALLATION DETAILS DESCRIBED HEREIN ARE GENERIC AND MAY NOT REFLECT ACTUAL CONDITIONS FOR A SPECIFIC SITE. IF THE INSTALLATION METHODS DEVIATE FROM THESE APPROVED DETAILS THIS WOULD REQUIRE FURTHER INVESTIGATION BY A LICENSED OR REGISTERED DESIGN PROFESSIONAL.
5. ALL SETTING BLOCKS AND GASKET MATERIALS SHALL BE IN COMPLIANCE WITH THE CURRENT EDITION OF THE FLORIDA BUILDING CODE. SETTING BLOCKS SHALL BE NEOPRENE WITH A 70 TO 90 SHORE A DUROMETER. GASKET MATERIALS SHALL BE EDPM WITH A MINIMUM 60 SHORE A DUROMETER.
6. IN HVHZ AND NON-HVHZ AREAS WHERE WINDBORNE DEBRIS PROTECTION REQUIREMENTS EXIST, USE OF AN IMPACT PROTECTIVE SYSTEM COMPLYING WITH THE FBC REQUIREMENTS FOR WINDBORNE DEBRIS REGIONS IS NOT REQUIRED FOR THE PRODUCT(S) HEREIN.
7. MATERIALS:
  - 7.1. FRAME: RIGID VINYL-PVC
  - 7.2. REINFORCEMENT (FRAME AND PANELS): GALVANIZED STEEL
8. GLAZING:
  - 8.1. GLASS MEETS THE REQUIREMENTS OF ASTM E1300-04e01.
  - 8.2. SEE GLAZING DETAIL ON SHEET 6 OF 8.
  - 8.3. GLASS SHALL MEET SAFETY GLAZING REQUIREMENTS PER CURRENT EDITION OF THE FLORIDA BUILDING CODE.
  - 8.4. INTERLAYER: KURARAY AMERICA SENTRYGLAS PER CURRENT MIAMI DADE NOTICE OF ACCEPTANCE (N.O.A.)
9. PANEL OPERABILITY DESIGNATIONS:
  - 9.1. (X) DESIGNATION IS OPERABLE PANEL.
  - 9.2. (O) DESIGNATION IS STATIONARY PANEL

TABLE OF CONTENTS	
SHEET NO.	DESCRIPTION
1	GENERAL NOTES
2	ELEVATION & ANCHOR LAYOUTS
3-4	INSTALLATION DETAILS
5	COMPONENTS
6	CROSS SECTIONS & GLAZING DETAIL
7	BILL OF MATERIALS
8	DOOR HARDWARE

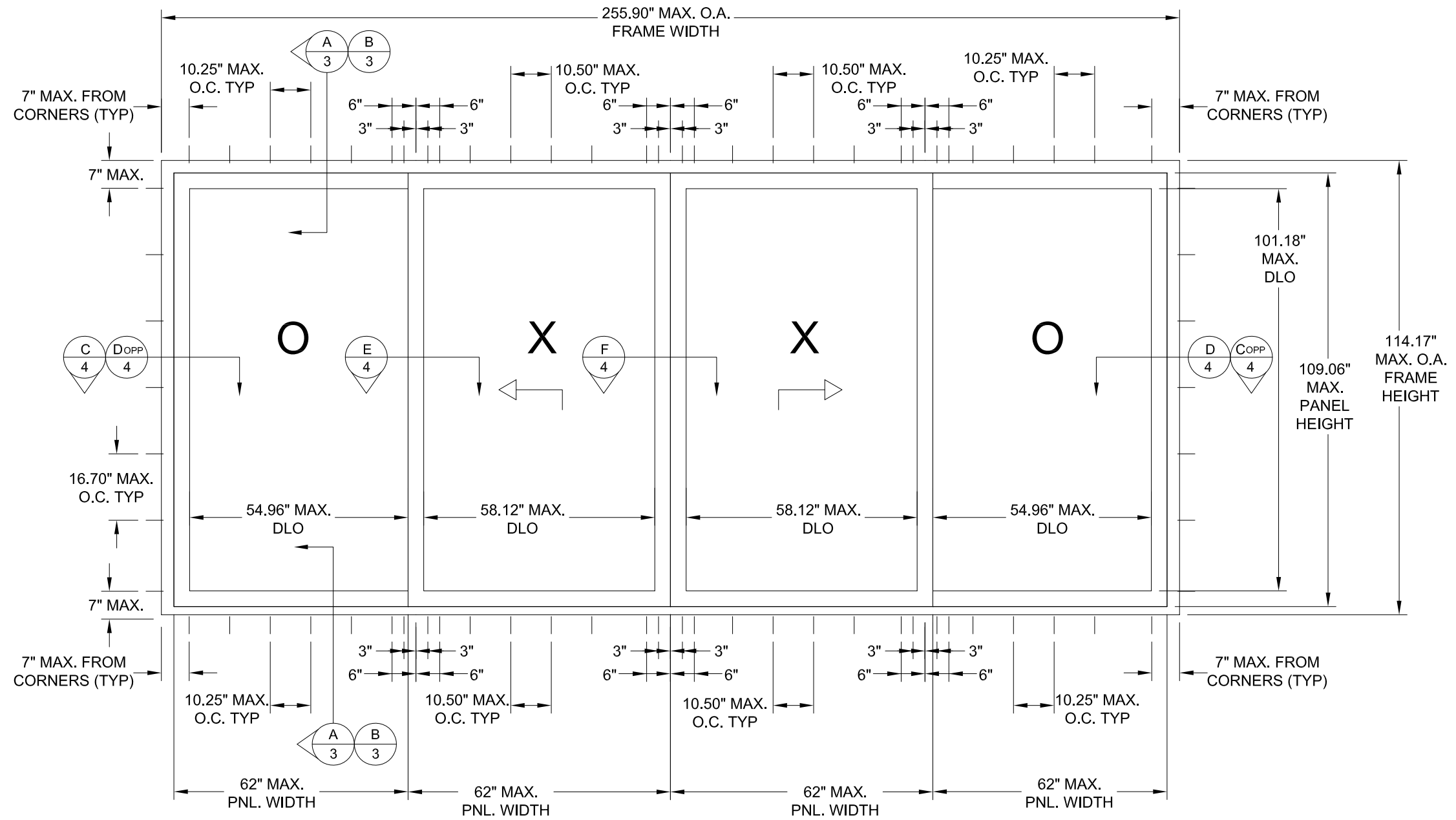
**ANCHOR NOTES:**

1. SHIM AS REQUIRED AT EACH INSTALLATION ANCHOR WITH A LOAD BEARING SHIM. SHIM WHERE SPACE OF 1/16" OR GREATER OCCURS. MAXIMUM ALLOWABLE SHIM STACK TO BE 1/4".
2. FOR ANCHORING THROUGH FRAME INTO MASONRY/CONCRETE USE 1/4" ITW ADVANCED THREADFORM TAPCONS, HEX HEAD (SHOWN) OF FLAT HEAD WITH SUFFICIENT LENGTH TO ACHIEVE THE FOLLOWING. SEE NOTE 4 FOR ACCEPTABLE ALTERNATE ANCHOR TYPE
  - 2.1. CONCRETE: 1-1/2" MINIMUM EMBEDMENT INTO SUBSTRATE WITH 1-1/2" MINIMUM EDGE DISTANCE.
  - 2.2. CMU/MASONRY: 1" MINIMUM EMBEDMENT INTO SUBSTRATE WITH 2" MINIMUM EDGE DISTANCE.
3. FOR ANCHORING THROUGH FRAME INTO WOOD FRAMING OR 2X BUCK USE #14 WOOD SCREWS, PAN HEAD (SHOWN) OR FLAT HEAD PER (ANSI B18.6.1) WITH MINIMUM GRADE 2 STRENGTH AND WITH SUFFICIENT LENGTH TO ACHIEVE 1-1/2" MINIMUM EMBEDMENT INTO SUBSTRATE WITH 1" MINIMUM EDGE DISTANCE. SEE NOTE 4 FOR ACCEPTABLE ALTERNATE ANCHOR TYPE
4. FOR ANCHORING THROUGH FRAME INTO MASONRY, CONCRETE OR WOOD FRAMING OR 2X WOOD BUCK, THE WURTH AMO III SPACING ASSEMBLY SCREW 7.5mm DIA. TYPE 2 CYLINDER HEAD GALVANIZED STEEL WITH MINIMUM EMBEDMENT AND MINIMUM EDGE DISTANCE BELOW CAN BE USED AS SUBSTITUTES TO ANCHORS IN ITEM NO. 2 AND 3 ABOVE.
  - 4.1. CONCRETE: 1-1/2" MINIMUM EMBEDMENT INTO SUBSTRATE WITH 2" MINIMUM EDGE DISTANCE.
  - 4.2. CMU/MASONRY: 1" MINIMUM EMBEDMENT INTO SUBSTRATE WITH 2-1/2" MINIMUM EDGE DISTANCE.
  - 4.3. WOOD SUBSTRATE: 2-3/8" MINIMUM EMBEDMENT INTO SUBSTRATE WITH 2-1/2" MINIMUM EDGE DISTANCE.
  - 4.4. THESE ANCHORS SUPPLIED BY KOMMERLING WITH DOOR ASSEMBLY (ITEM NO. 24 IN BOM).
5. INSTALLATION ANCHOR CAPACITIES FOR PRODUCTS HEREIN ARE BASED ON SUBSTRATE MATERIALS WITH THE FOLLOWING PROPERTIES:
  - 5.1. WOOD - MINIMUM SPECIFIC GRAVITY OF 0.42 (NON-HVHZ) AND 0.55 (HVHZ).
  - 5.2. CONCRETE - MINIMUM COMPRESSIVE STRENGTH OF 2500 PSI.
  - 5.3. MASONRY - STRENGTH CONFORMANCE TO ASTM C-90 MEDIUM WEIGHT WITH COMPRESSIVE STRENGTH OF 1900 psi (DENSITY > 117 PCF).

Kommerling USA, Inc. 3402 Stanwood Boulevard Huntsville, AL 35811		
SERIES: PREMIDOOOR 88MM VINYL LIFT-SLIDE DOOR OXXO, L.M. IMPACT GENERAL NOTES		
DRAWN: JRM	DWG NO. NL-0097	REV -
SCALE NTS	DATE 01/04/2018	SHEET 1 OF 8

ROBERT J. AMORUSO FL. P.E. NO. 49752
12472 LAKE UNDERHILL RD NO. 148 ORLANDO, FL 32828 robert.amoruso@ comcast.net

REVISIONS			
REV	DESCRIPTION	DATE	APPROVED



ELEVATION & ANCHOR DETAIL  
INTERIOR VIEW

- NOTES
1. MAXIMUM FIXED PANEL D.L.O.: 54.96" X 101.18"
  2. MAXIMUM OPERABLE PANEL D.L.O.: 58.12" X 101.18"

DESIGN PRESSURE RATING	IMPACT RATING
<b>±55.0PSF</b>	LARGE AND SMALL MISSILE IMPACT

MISSILE LEVEL D, WIND ZONE 4 AND HVHZ

Kommerling USA, Inc.  
3402 Stanwood Boulevard  
Huntsville, AL 35811

SERIES: PREMIDOOR 88MM VINYL  
LIFT-SLIDE DOOR OXXO, L.M. IMPACT  
ELEVATION & ANCHOR LAYOUT

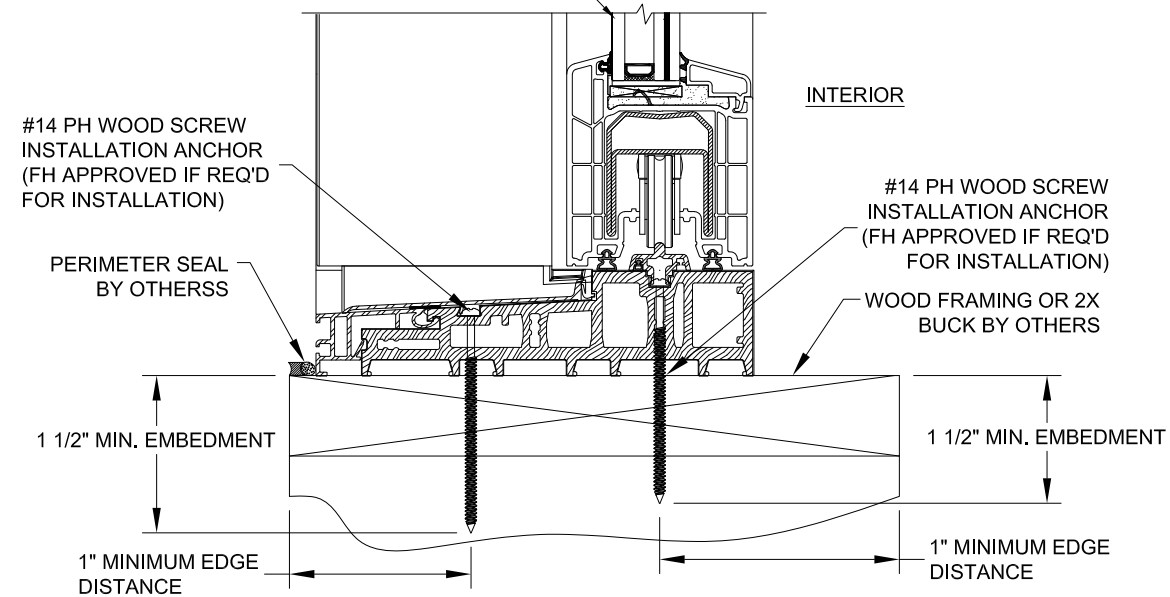
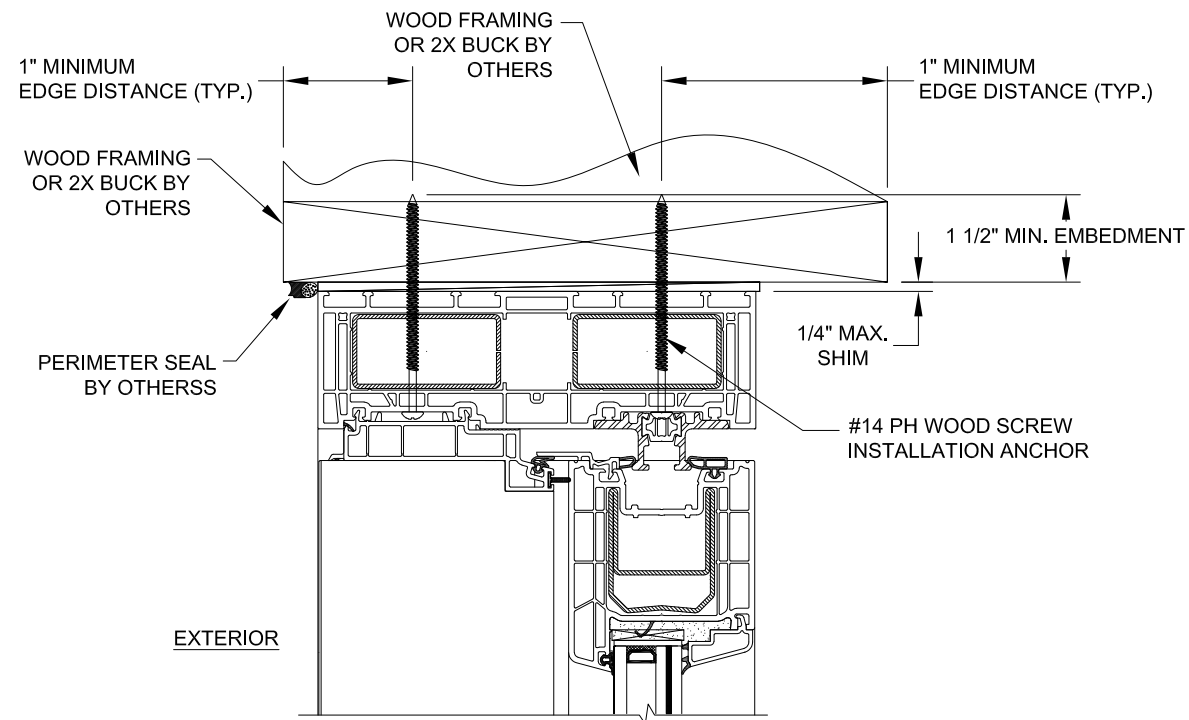
DRAWN: JRM	DWG NO. NL-0097	REV -
---------------	--------------------	----------

SCALE NTS	DATE 01/04/2018	SHEET 2 OF 8
--------------	--------------------	-----------------

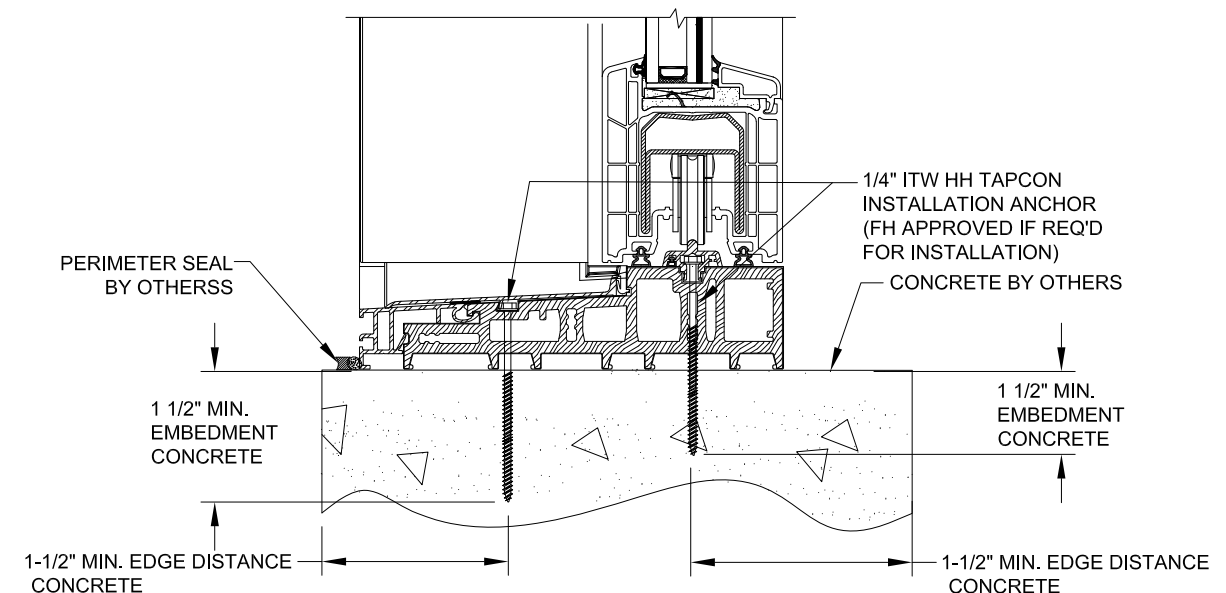
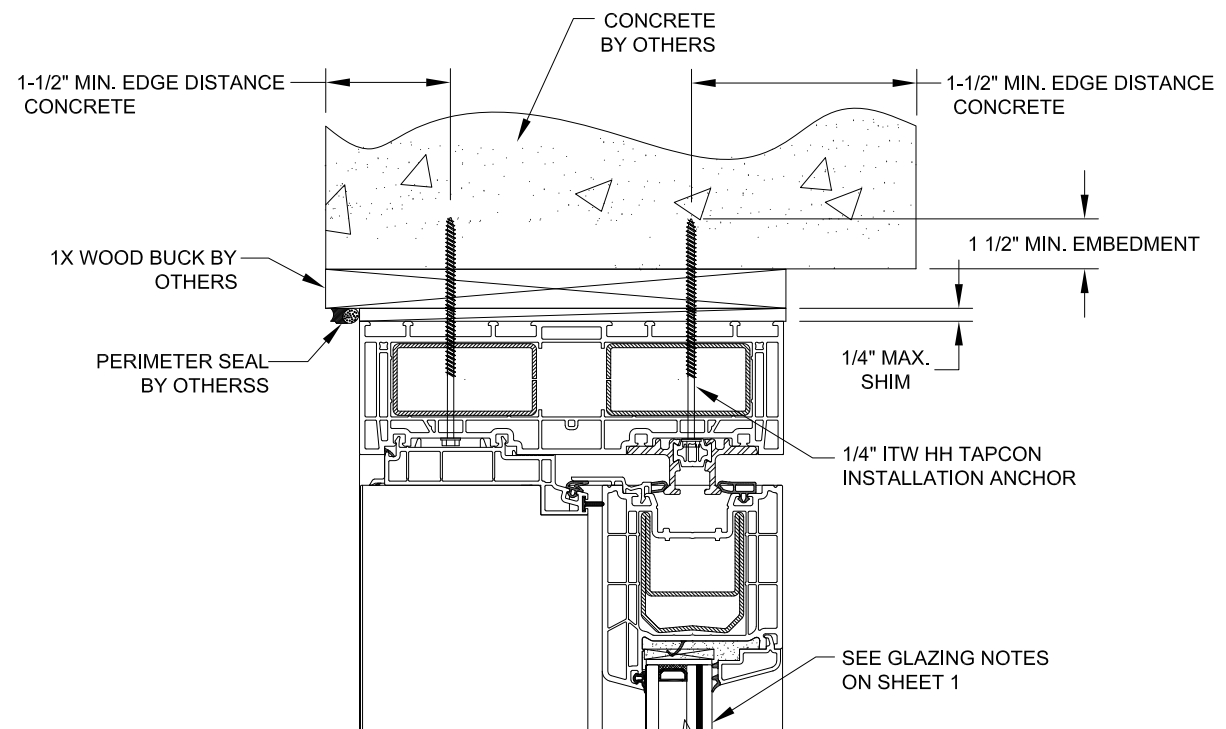
ROBERT J. AMORUSO  
FL. P.E. NO. 49752

12472 LAKE UNDERHILL RD  
NO. 148  
ORLANDO, FL 32828  
robert.amoruso@comcast.net

REVISIONS			
REV	DESCRIPTION	DATE	APPROVED



**A** VERTICAL SECTION  
3 WOOD FRAMING OR 2 X BUCK INSTALLATION



**B** VERTICAL SECTION  
3 CONCRETE INSTALLATION

- NOTES:
1. INTERIOR AND EXTERIOR FINISHES BY OTHERS, NOT SHOWN FOR CLARITY.
  2. PERIMETER AND JOINT SEALANT BY OTHERS TO BE DESIGNED IN ACCORDANCE WITH ASTM E2112.

Kommerling USA, Inc.  
3402 Stanwood Boulevard  
Huntsville, AL 35811

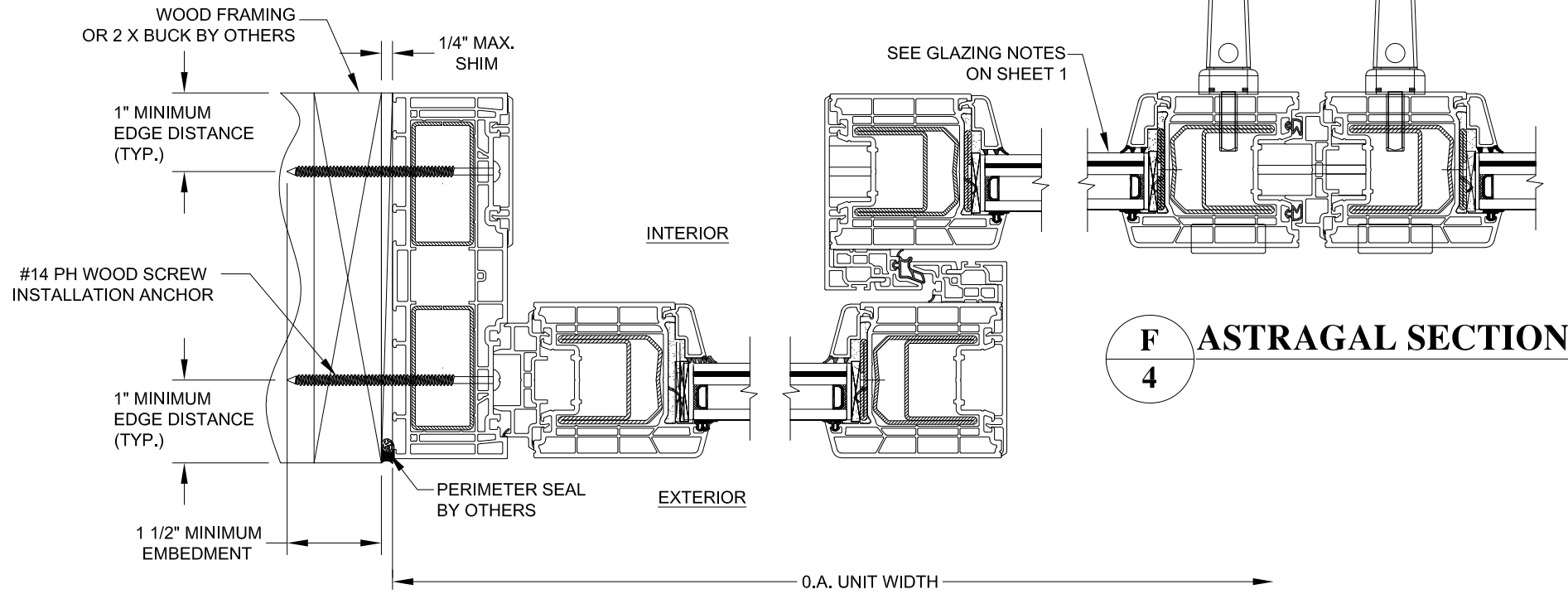
SERIES: PREMIDOOR 88MM VINYL  
LIFT-SLIDE DOOR OXXO, L.M. IMPACT  
VERTICAL INSTALLATION DETAILS-WOOD/CONC.

DRAWN: JRM	DWG NO. NL-0097	REV -
SCALE NTS	DATE 01/04/2018	SHEET 3 OF 8

ROBERT J. AMORUSO  
FL. P.E. NO. 49752

12472 LAKE UNDERHILL RD  
NO. 148  
ORLANDO, FL 32828  
robert.amoruso@comcast.net

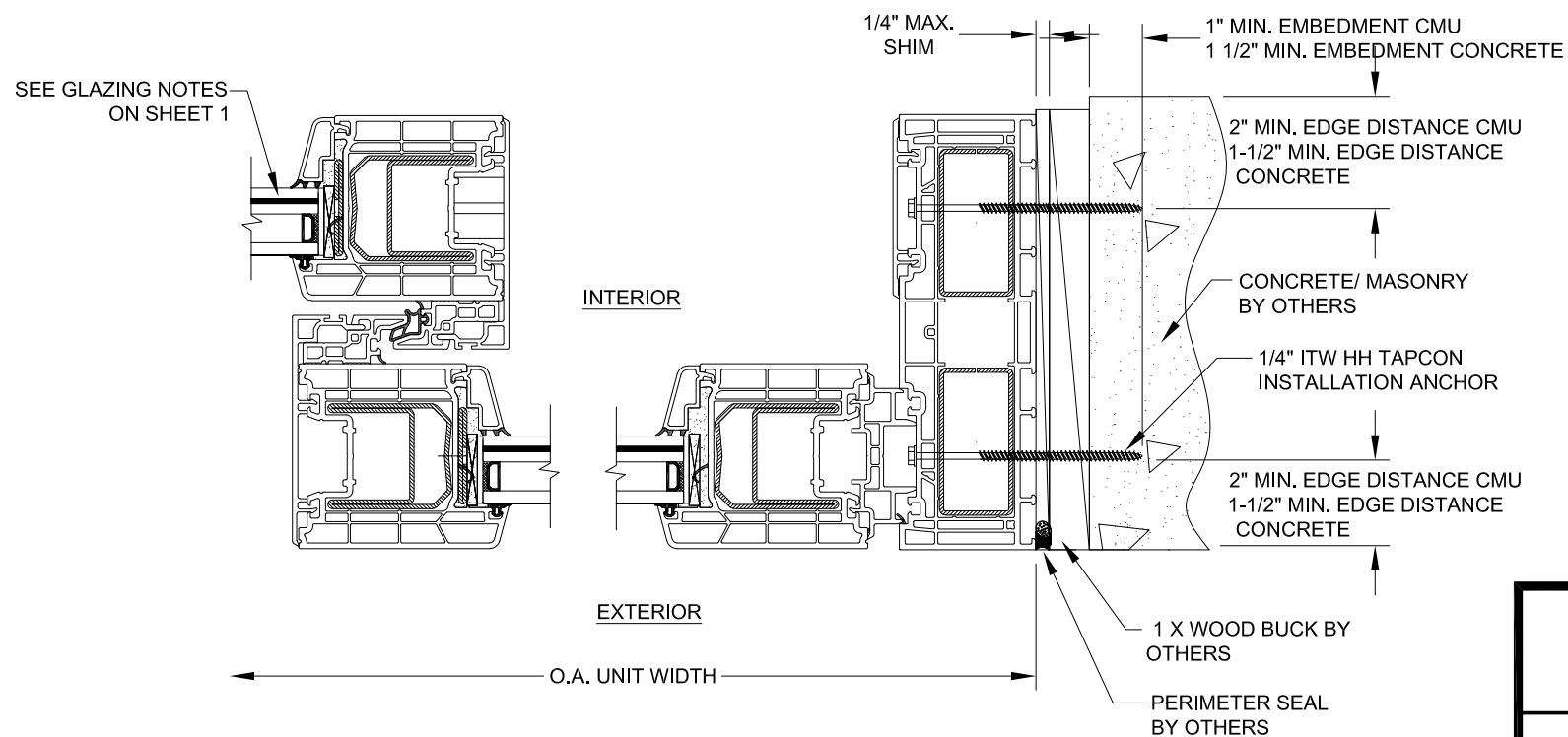
REVISIONS			
REV	DESCRIPTION	DATE	APPROVED



**C**  
4 **HORIZONTAL SECTION**  
WOOD FRAMING OR 2 X BUCK INSTALLATION

**E**  
4 **INTERLOCK SECTION**

**F**  
4 **ASTRAGAL SECTION**



**D**  
4 **HORIZONTAL SECTION**  
CONCRETE/MASONRY INSTALLATION

NOTES:  
1. INTERIOR AND EXTERIOR FINISHES BY OTHERS, NOT SHOWN FOR CLARITY.  
2. PERIMETER AND JOINT SEALANT BY OTHERS TO BE DESIGNED IN ACCORDANCE WITH ASTM E2112.

Kommerling USA, Inc.  
3402 Stanwood Boulevard  
Huntsville, AL 35811

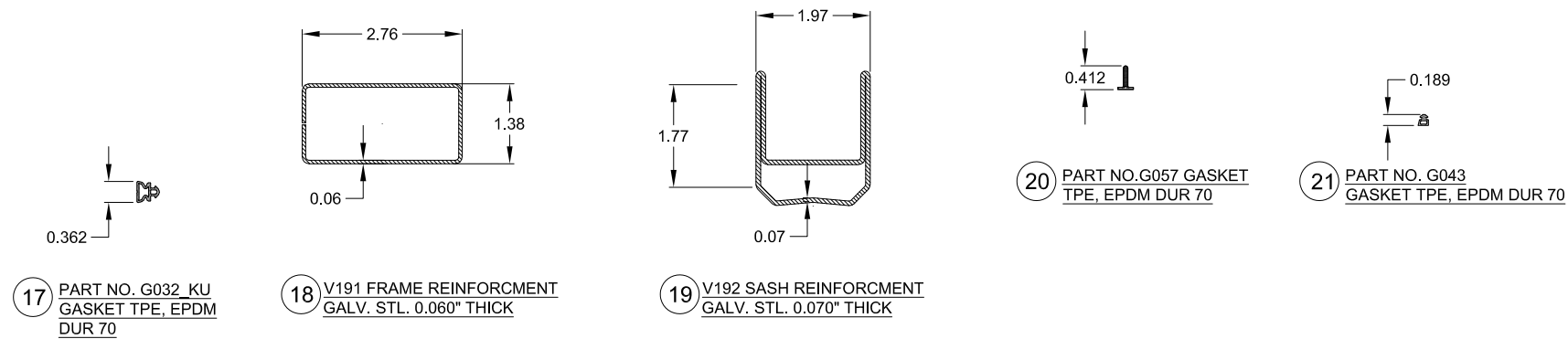
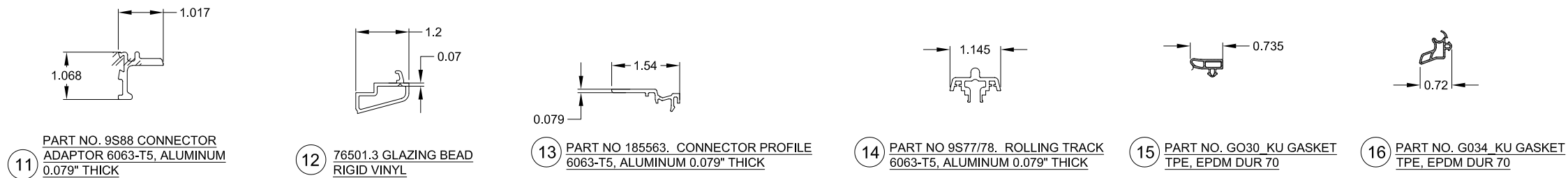
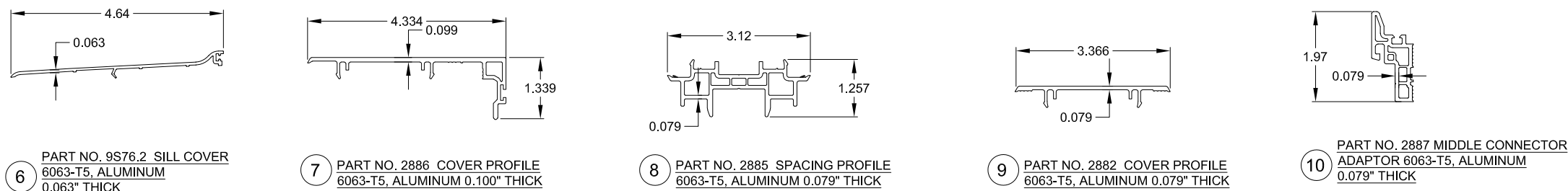
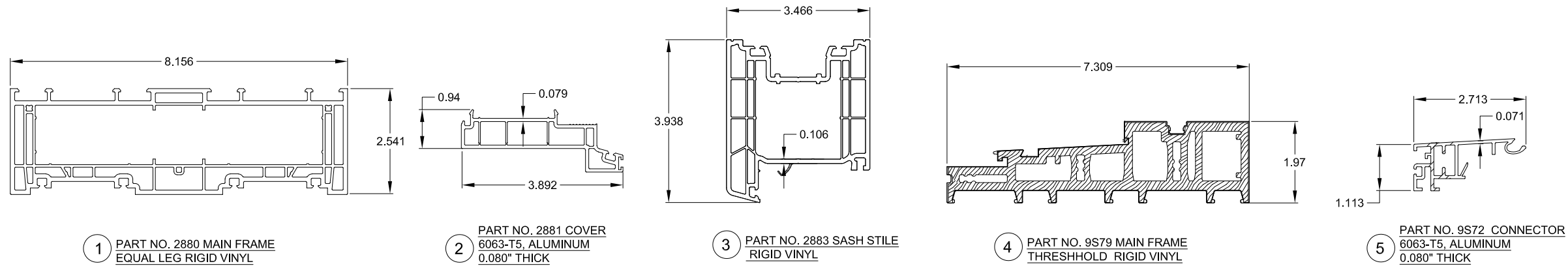
SERIES: PREMIDOOR 88MM VINYL  
LIFT-SLIDE DOOR OXXO, L.M. IMPACT  
HORIZONTAL INSTALLATION-WOOD/CMU-CONC.

DRAWN: JRM	DWG NO. NL-0097	REV -
SCALE NTS	DATE 01/04/2018	SHEET 4 OF 8

ROBERT J. AMORUSO  
FL. P.E. NO. 49752

12472 LAKE  
UNDERHILL RD  
NO. 148  
ORLANDO, FL 32828  
robert.amoruso@  
comcast.net

REVISIONS			
REV	DESCRIPTION	DATE	APPROVED



ROBERT J. AMORUSO  
FL. P.E. NO. 49752

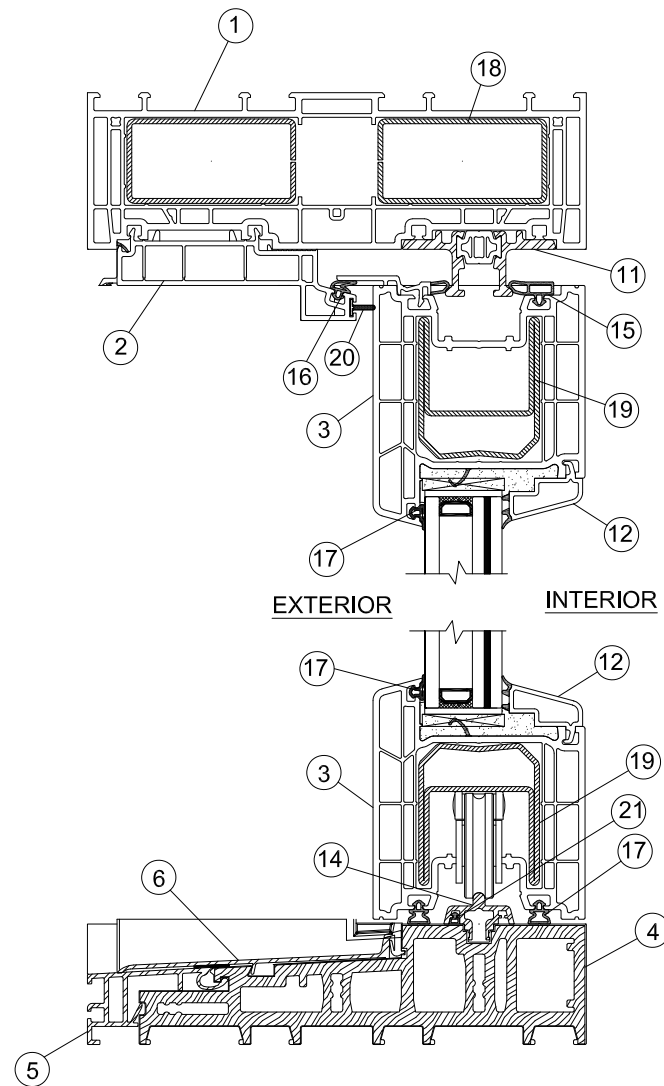
Kommerling USA, Inc.  
3402 Stanwood Boulevard  
Huntsville, AL 35811

SERIES: PREMIDOOR 88MM VINYL  
LIFT-SLIDE DOOR OXXO, L.M. IMPACT  
COMPONENTS

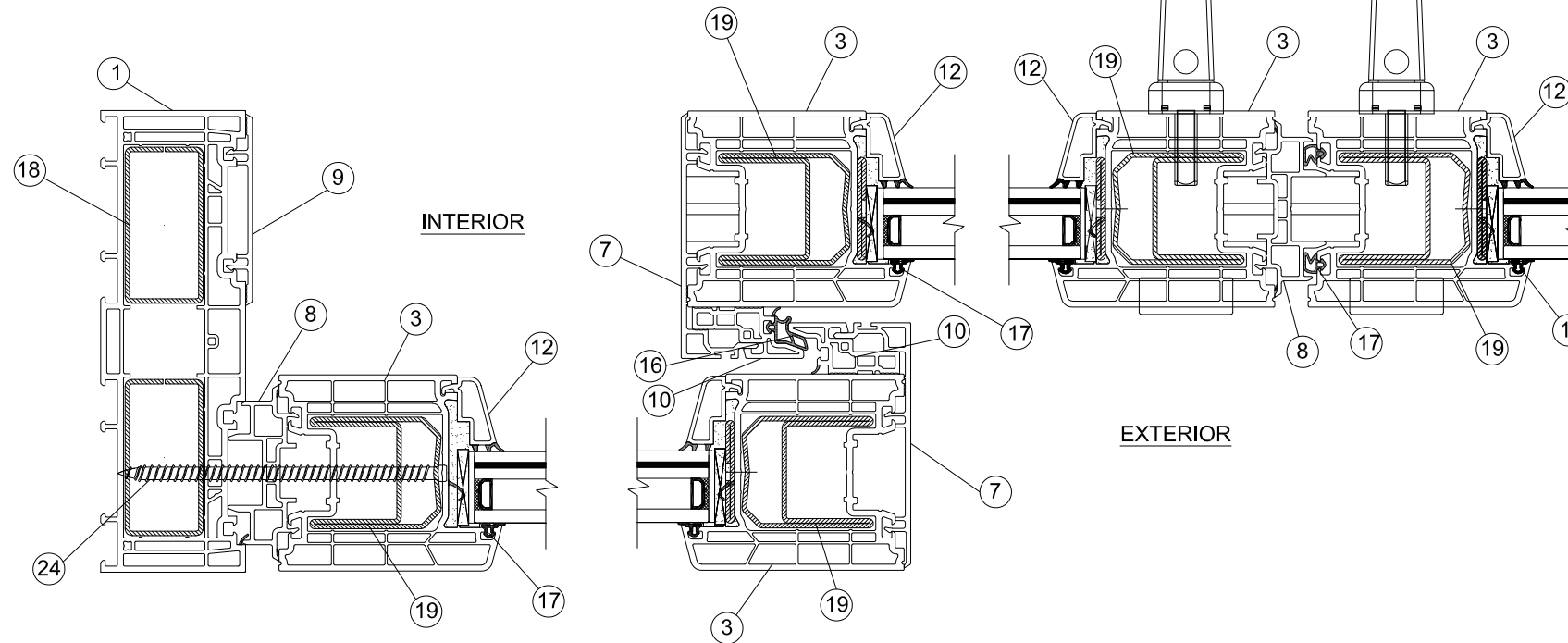
DRAWN: JRM	DWG NO. NL-0097	REV -
SCALE NTS	DATE 01/04/2018	SHEET 5 OF 8

12472 LAKE  
UNDERHILL RD  
NO. 148  
ORLANDO, FL 32828  
robert.amoruso@  
comcast.net

REVISIONS			
REV	DESCRIPTION	DATE	APPROVED

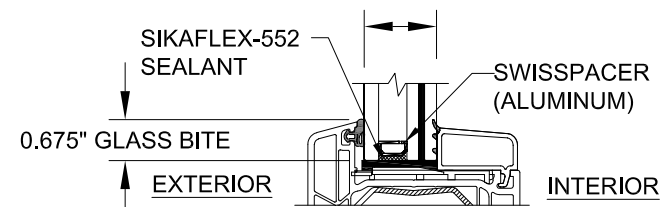


**VERTICAL CROSS SECTION  
FOR PARTS IDENTIFICATION**



**HORIZONTAL CROSS SECTION  
FOR PARTS IDENTIFICATION**

1.18" O.A. INSULATED GLASS CONSISTING OF:  
1/4" TEMP. GLASS, / AIR-SPACER / 3/16" H.S. GLASS / 0.090"  
KURARAY AMERICA SENTRYGLAS / 3/16" H.S. GLASS,  
BY ST. GOBAIN



**GLAZING DETAIL 1**

Kommerling USA, Inc. 3402 Stanwood Boulevard Huntsville, AL 35811		
SERIES: PREMIDOOR 88MM VINYL LIFT-SLIDE DOOR OXXO, L.M. IMPACT CROSS SECTIONS & GLAZING DETAIL		
DRAWN: JRM	DWG NO. NL-0097	REV -
SCALE NTS	DATE 01/04/2018	SHEET 6 OF 8

ROBERT J. AMORUSO  
FL. P.E. NO. 49752

12472 LAKE  
UNDERHILL RD  
NO. 148  
ORLANDO, FL 32828  
robert.amoruso@  
comcast.net

REVISIONS			
REV	DESCRIPTION	DATE	APPROVED

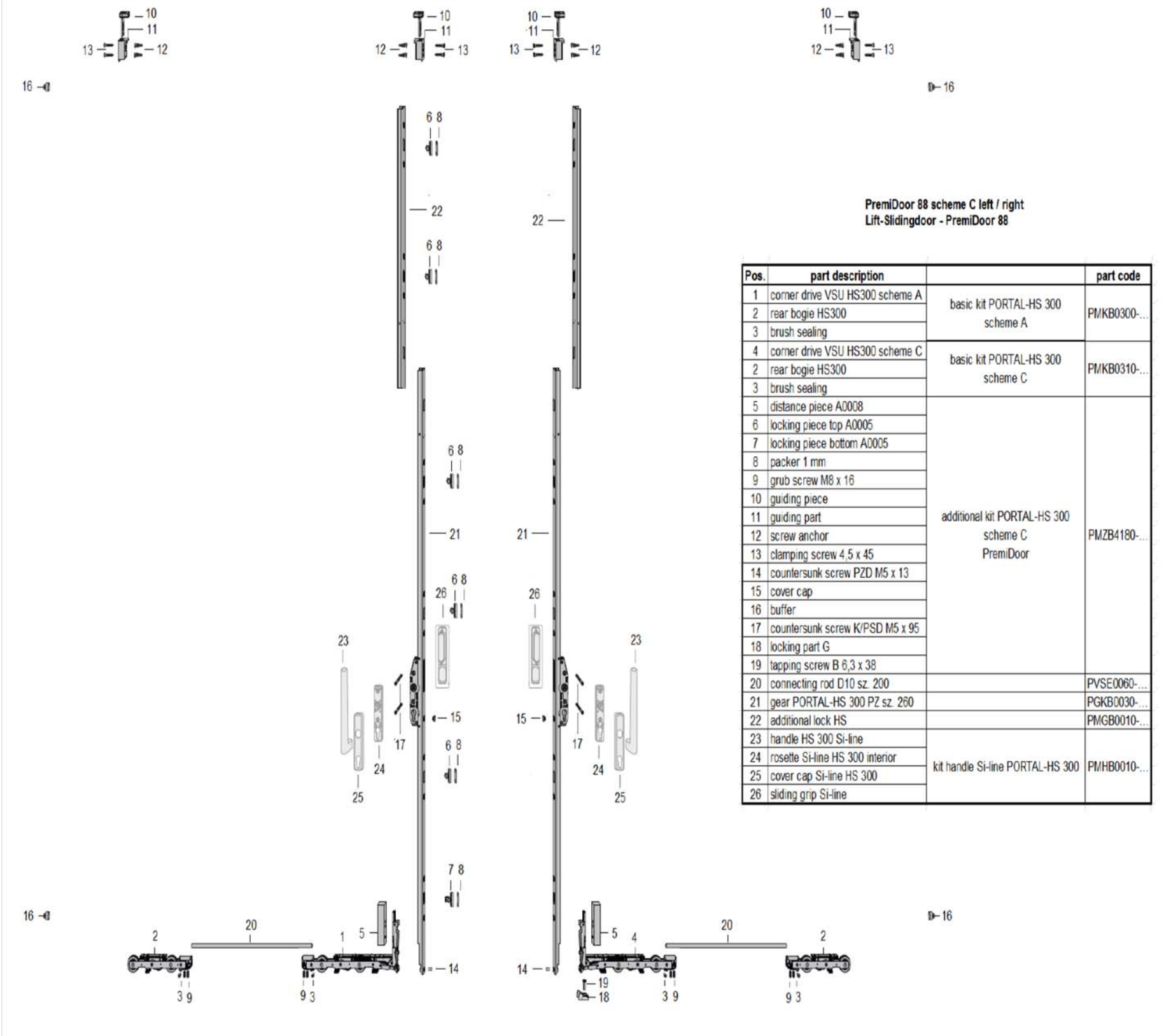
QTY.	PART NO.	DESCRIPTION	MANUFACTURER
1	2880	MAIN FRAME, RIGID VINYL	PROFINE
2	2881	FRAME COVER, RIGID VINYL	PROFINE
3	2883	SASH PROFILE, RIGID VINYL	PROFINE
4	9S79	FRAME THRESHOLD, RIGID VINYL	PROFINE
5	9S72	CONNECTOR, 6063 T5 ALUMINUM	PURCHASE
6	9S76.2	SILL COVER, 6063 T5 ALUMINUM	PURCHASE
7	2886	COVER PROFILE, 6063 T5 ALUMINUM	PURCHASE
8	2885	SPACING PROFILE, 6063 T5 ALUMINUM	PURCHASE
9	2882	COVER PROFILE, 6063 T5 ALUMINUM	PURCHASE
10	2887	MIDDLE CONNECTOR, 6063 T5 ALUMINUM	PURCHASE
11	9S88	CONNECTOR ADAPTOR, 6063 T5 ALUMINUM	PURCHASE
12	76501.3	GLAZING BEAD, RIGID VINYL	PROFINE
13	185563	CONNECTOR PROFILE, 6063 T5 ALUMINUM	-----
14	9S77 / 9S78	ROLLING TRACK, 6063 T5 ALUMINUM	-----
15	G030_KU	GASKET TPE, EPDM DUR 70	-----
16	G034_KU	GASKET, 80 DUROMETER EPDM	PURCHASE
17	G032_KU	GASKET, 80 DUROMETER EPDM	PURCHASE
18	V191	FRAME REINFORCEMENT, GALV. STL.	PURCHASE
19	V192	SASH REINFORCEMENT, GALV. STL.	PURCHASE
20	G057	GASKET, 80 DUROMETER EPDM	PURCHASE
21	G043	GASKET, 80 DUROMETER EPDM	PURCHASE
22	V192	SASH REINFORCEMENT, GALV. STL.	PURCHASE
23	-----	#6 X 0.875 PH. FHD SCREW	-----
24	-----	AMO III 7.5MM DIA. CYLINDER HEAD SCREW, VARIABLE LENGTH BASED ON USAGE	WURTH *
25	PURCHASE	#14 PH OR FH WOOD INSTALLATION SCREW	-----
26	PURCHASE	1/4" DIAM. HH OR FH I.T.W. MASONRY ANCHOR	I.T.W.

\* SUPPLIED BY DOOR MANUFACTURER KOMMERLING

Kommerling USA, Inc. 3402 Stanwood Boulevard Huntsville, AL 35811		
SERIES: PREMIDOOR 88MM VINYL LIFT-SLIDE DOOR OXXO, L.M. IMPACT BILL OF MATERIALS		
DRAWN: JRM	DWG NO. NL-0097	REV -
SCALE NTS	DATE 01/04/2018	SHEET 7 OF 8

ROBERT J. AMORUSO FL. P.E. NO. 49752
12472 LAKE UNDERHILL RD NO. 148 ORLANDO, FL 32828 robert.amoruso@ comcast.net

REVISIONS			
REV	DESCRIPTION	DATE	APPROVED



Pos.	part description		part code	
1	corner drive VSU HS300 scheme A	basic kit PORTAL-HS 300 scheme A	PMKB0300-...	
2	rear bogie HS300			
3	brush sealing			
4	corner drive VSU HS300 scheme C	basic kit PORTAL-HS 300 scheme C	PMKB0310-...	
2	rear bogie HS300			
3	brush sealing			
5	distance piece A0008	additional kit PORTAL-HS 300 scheme C PremiDoor	PMZB4180-...	
6	locking piece top A0005			
7	locking piece bottom A0005			
8	packer 1 mm			
9	grub screw M8 x 16			
10	guiding piece			
11	guiding part			
12	screw anchor			
13	clamping screw 4,5 x 45			
14	countersunk screw PZD M5 x 13			
15	cover cap			
16	buffer			
17	countersunk screw K/PSD M5 x 95			
18	locking part G			
19	tapping screw B 6,3 x 38			
20	connecting rod D10 sz. 200			PVSE0060-...
21	gear PORTAL-HS 300 PZ sz. 260			PGKB0030-...
22	additional lock HS	PMGB0010-...		
23	handle HS 300 SI-line	kit handle SI-line PORTAL-HS 300	PMHB0010-...	
24	rosette SI-line HS 300 interior			
25	cover cap SI-line HS 300			
26	sliding grip SI-line			

Kommerling USA, Inc.  
3402 Stanwood Boulevard  
Huntsville, AL 35811

SERIES: PREMIDOOR 88MM VINYL  
LIFT-SLIDE DOOR OXXO, L.M. IMPACT  
DOOR HARDWARE

DRAWN: JRM	DWG NO. NL-0097	REV -
SCALE NTS	DATE 01/04/2018	SHEET 8 OF 8

ROBERT J. AMORUSO  
FL. P.E. NO. 49752

12472 LAKE  
UNDERHILL RD  
NO. 148  
ORLANDO, FL 32828  
robert.amoruso@  
comcast.net